

RFID Smart Solutions



The 360RW

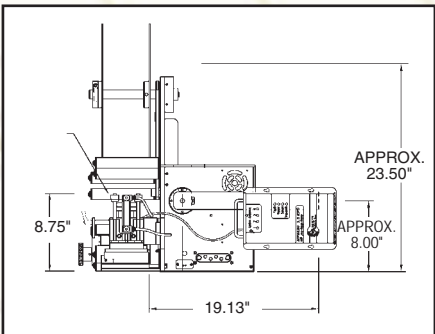
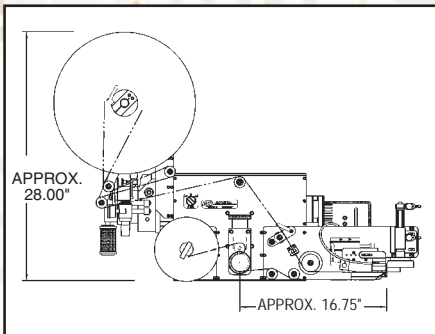
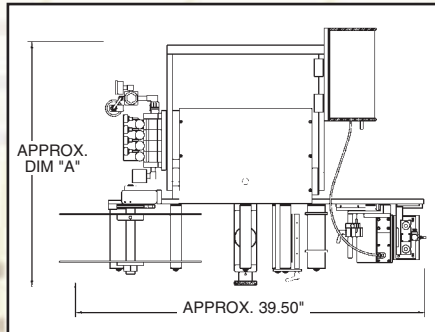
To ensure that accurate, real time information is written to RFID transponders, MPI Label Systems, with our partner CTM Integration, has created a patent pending design that incorporates a read/write head into the proven, versatile and industry accepted CTM 360 label applicator. This innovative RFID applicator is designed for UHF 915 MHz (class 1, 0 and 0+ protocols) and HF 13.56 MHz labels. The 360RW tests each imbedded transponder, disposes of the bad labels, while writing information and dispensing the good labels. Verification at the point of application saves you time and money!

Using multi-protocol technology from SAMSys provides the best defense against future obsolescence. Available in FCC and ETSI configurations, SAMSys reader technology helps to future-proof your hardware investment.

With the 360RW
you have the
Power to Choose!

The **Smart** Scoop

The 360 RW



360RW Technical Specifications

Operator Interface

The self-prompting user-friendly display control comes with an easy to read, 4 line, 40 character LCD display. Dedicated soft keys allow quick access to the most frequently used set up parameters, thus eliminating lost time searching through complicated menus.

Electrical

108-132 VAC, 50/60 Hertz, Single Phase, 5 Amps

Air Consumption

Up to 4 CFM at 80-100 PSI*

(* Minimum requirement of 80 PSI)

Labeling Speeds

Programmable web speeds to 1500 Inches / Minute

Product Sensing

Retroreflective Scanner provided as standard, other types available

Label Sizes

	Minimum	Maximum
Air Blow	*	*
Merge	*	*
Tamp	.750" Wide x 1.500" Feed**	5" Wide x 6" Feed***

* Not available at this time

** 1.500" Feed Length required for Singulation

*** Longer label lengths are acceptable as long as the transponder is positioned 1" from the leading edge of the label.

Label Roll Size

Standard 12" OD x 3" ID Core

Optional 16" OD x 3" or 6" ID Core

Label Placement

+/- 1/16" (.063")

Dimensions

Air Blow *

Merge *

Tamp 39.5" Wide x 28" Tall x 27.5" Deep

MPI Label Systems

www.egomexico.com

OHIO

CALIFORNIA

CONNECTICUT

ILLINOIS

NORTH CAROLINA

TENNESSEE

TEXAS

MPI
LABEL SYSTEMS
THE CUSTOMER COMMITTED COMPANY

egomexico
EXPERTOS EN RFID Y EPC